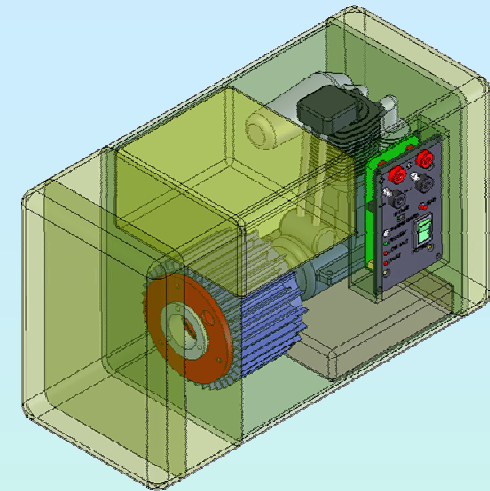
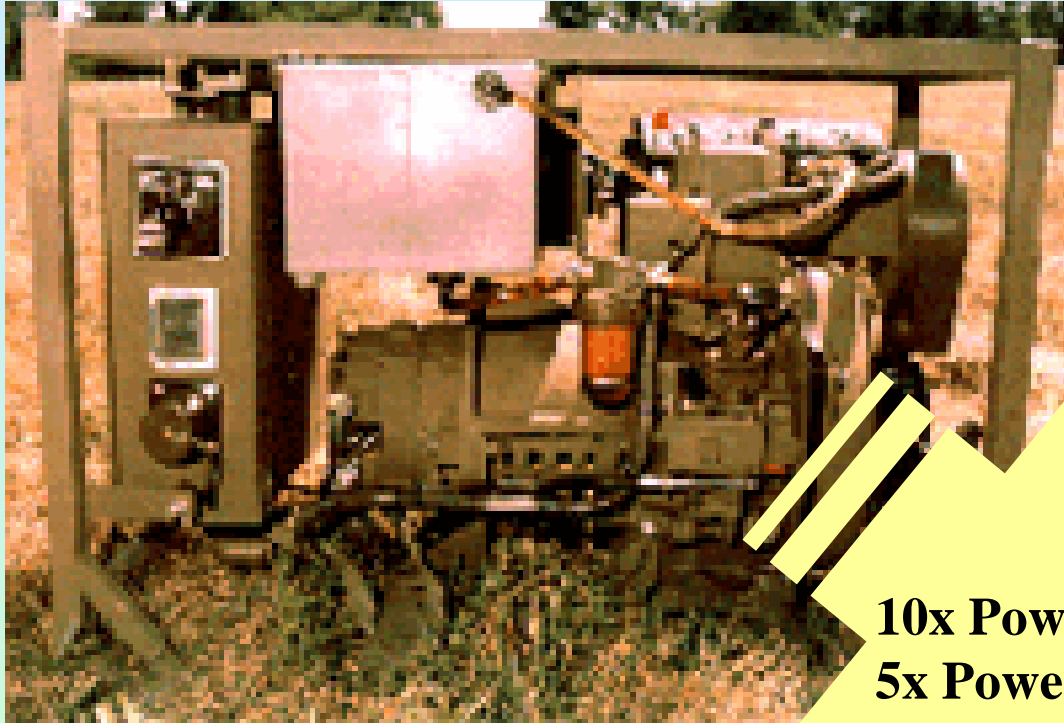


1 kW Heavy Fuel Power Unit



Objective	1 kW Heavy Fuel Power Unit
Basis	Scaled Version of D-STAR 2 kW APU
Fuel Usable	Straight JP-8, Jet-A (No Oil, No Additives)
Output	28 Volt DC
Power Goal	1000 Watts Max. Continuous on Hot+High Day
Status of Project	Selected by ONR for Funding. Under Design
Comments	Can Use Proven Technologies from 1.3 hp 2-stroke HF Engine / 700 Watt Hybrid Power Unit, 6.6 hp 4-stroke M-COTS Prototype Heavy Fuel Engine, 4.5 hp class experimental HFE / 2 kW Army Power Unit.

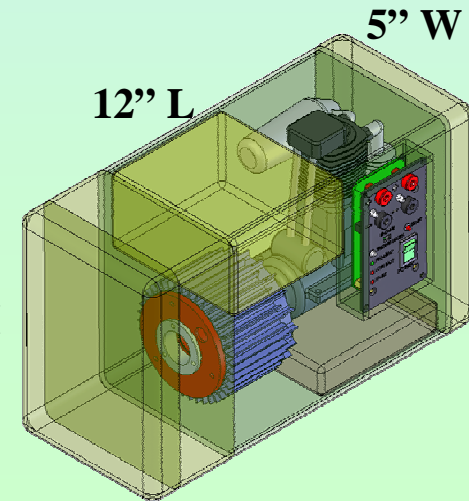
1 kW Man-Portable Generator Set for ONR / USMC Needs



**Army 2 kW Generator Set
AC Only
30" x 16" x 22", 158 lbs**

**10x Power/Vol.,
5x Power/Wt.**

**D-STAR Technology
1 kW
Omni-Voltage, Heavy Fuel
Generator Set / APU / HPU
12" x 5" x 7"
≈ 15 lbs dry, Encapsulated**



D-STAR Selected by ONR for Phase 1 under BAA